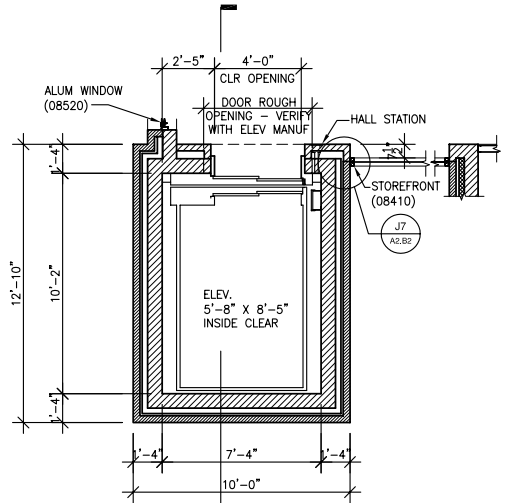


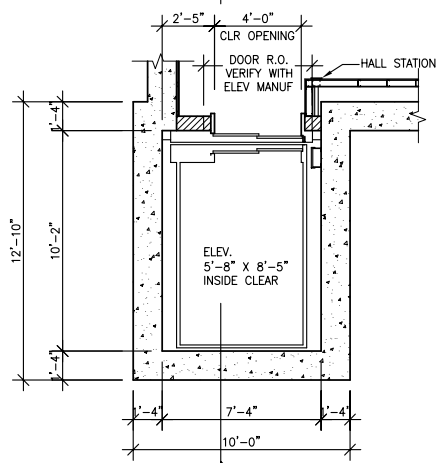
PARTIAL ELEVATOR SECTION

D2 A4.8
B1 A8.5
3/4" = 1'-0"



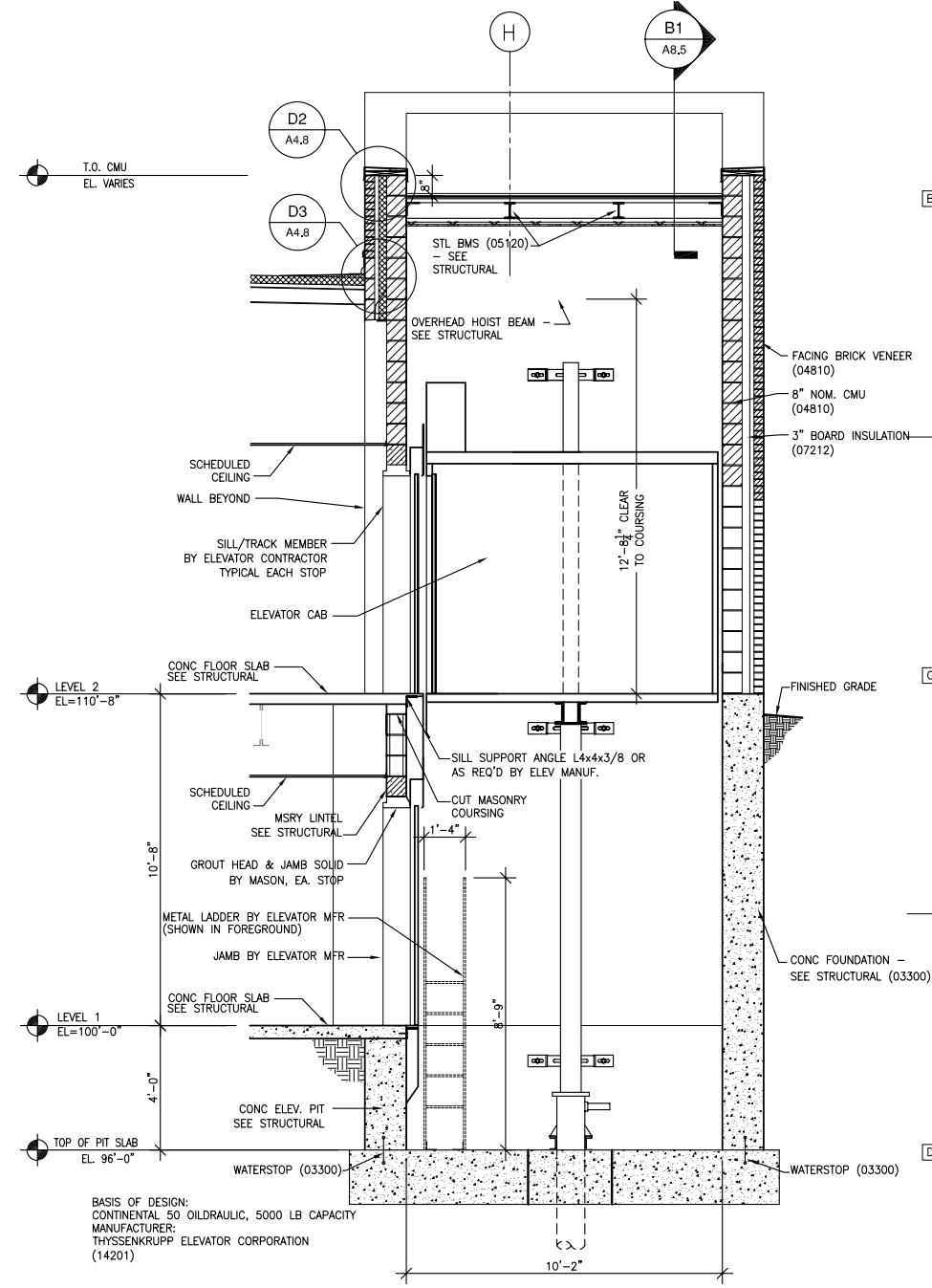
LEVEL 2 ELEVATOR PLAN

D5 A8.5
C3 A8.5
1/4" = 1'-0"



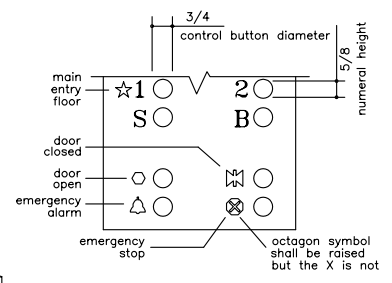
LEVEL 1 ELEVATOR PLAN

D5 A8.5
D3 A8.5
1/4" = 1'-0"

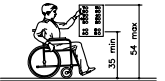
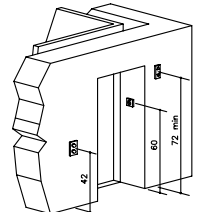


ELEVATOR SECTION

D5 A8.5
3/8" = 1'-0"



Panel Detail



Hoistway and Elevator Entrances Car Control Height

ADA REQUIREMENTS

D1 A8.5
N.T.S.

BASIS OF DESIGN:
CONTINENTAL 50 OILDRAULIC, 5000 LB CAPACITY
MANUFACTURER:
THYSENKRUPP ELEVATOR CORPORATION
(14201)