

NOTE: HANDRAIL REQUIRED ON BOTH SIDES OF STAIR.

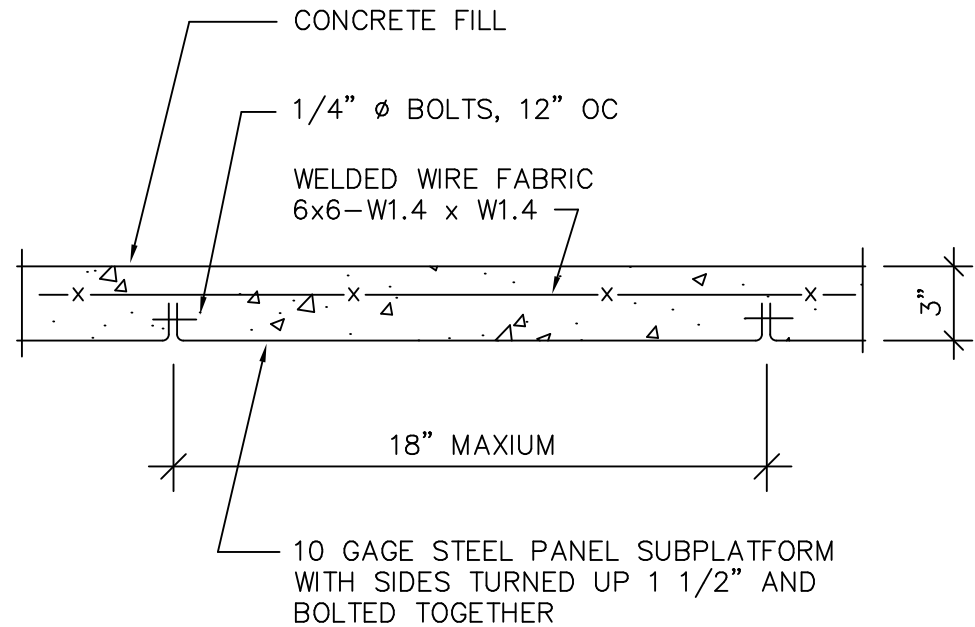
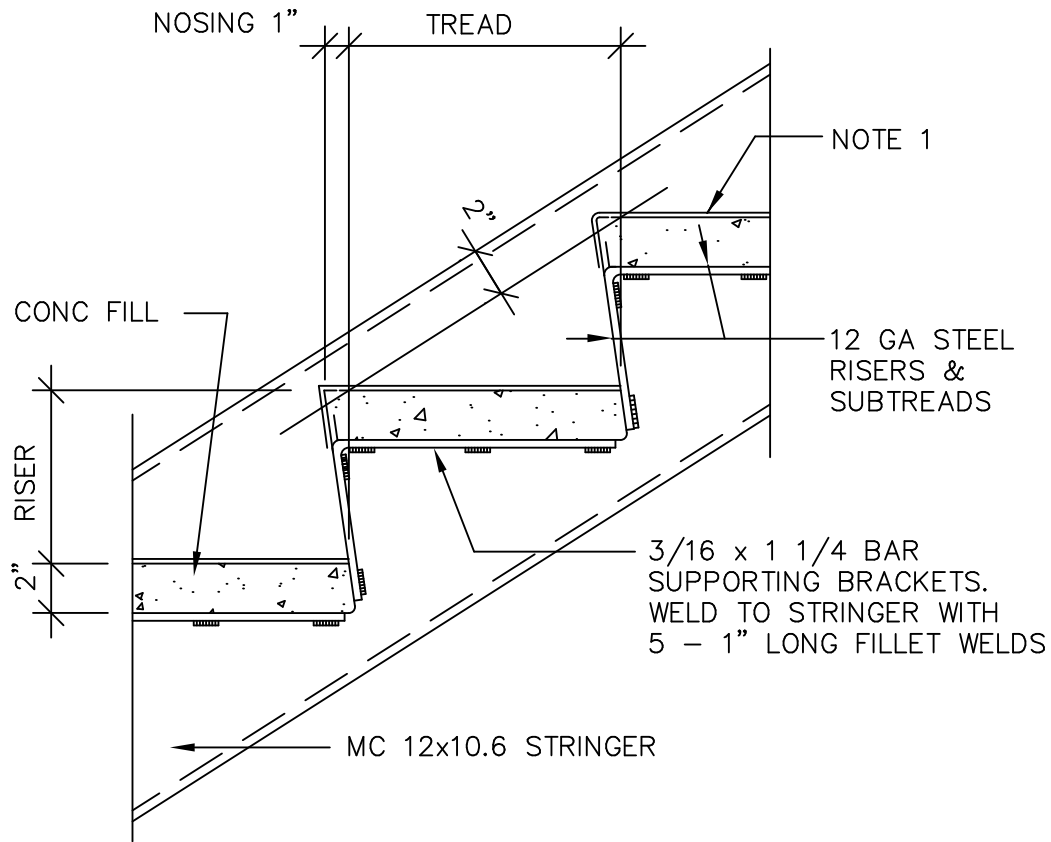
NOTE: DIMENSIONS ARE TO RISER LINES, NOT NOSINGS.

PROVIDE MINIMUM CLEAR WIDTH OF 48" BETWEEN HAND RAILS.

A  
 A3.5

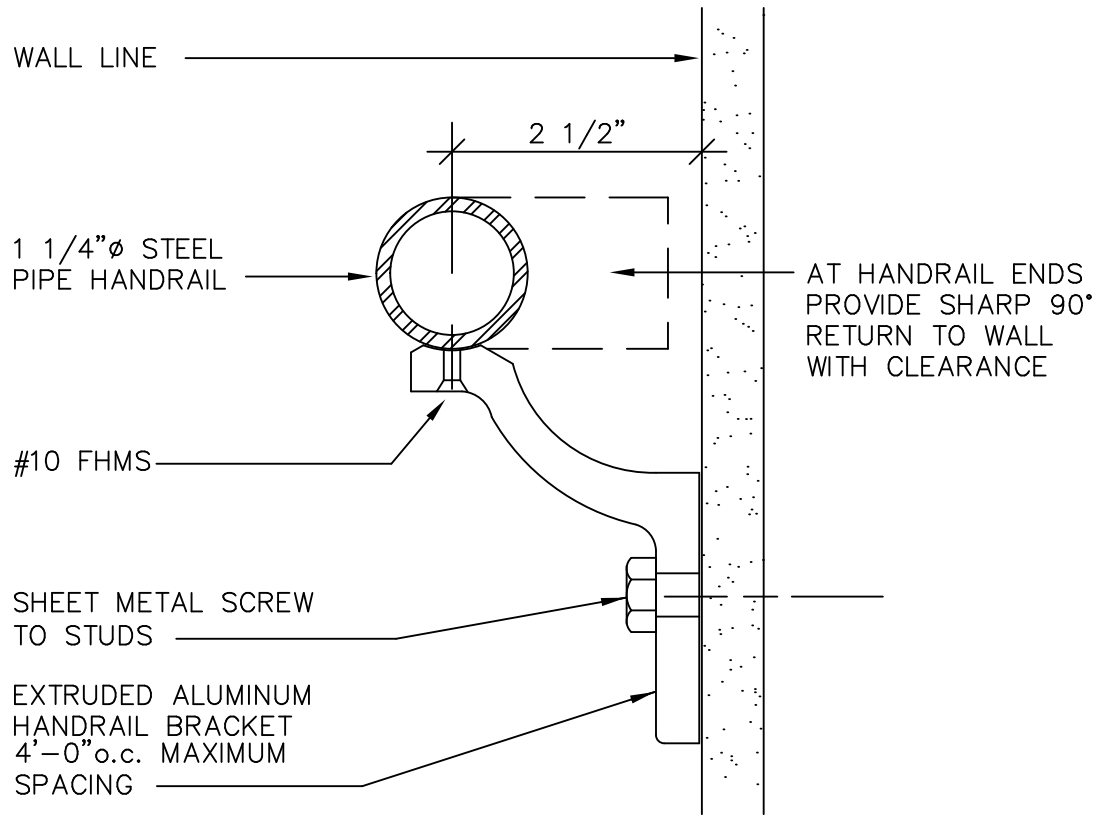
# STAIR SECTION

$\frac{1}{4}" = 1' - 0"$

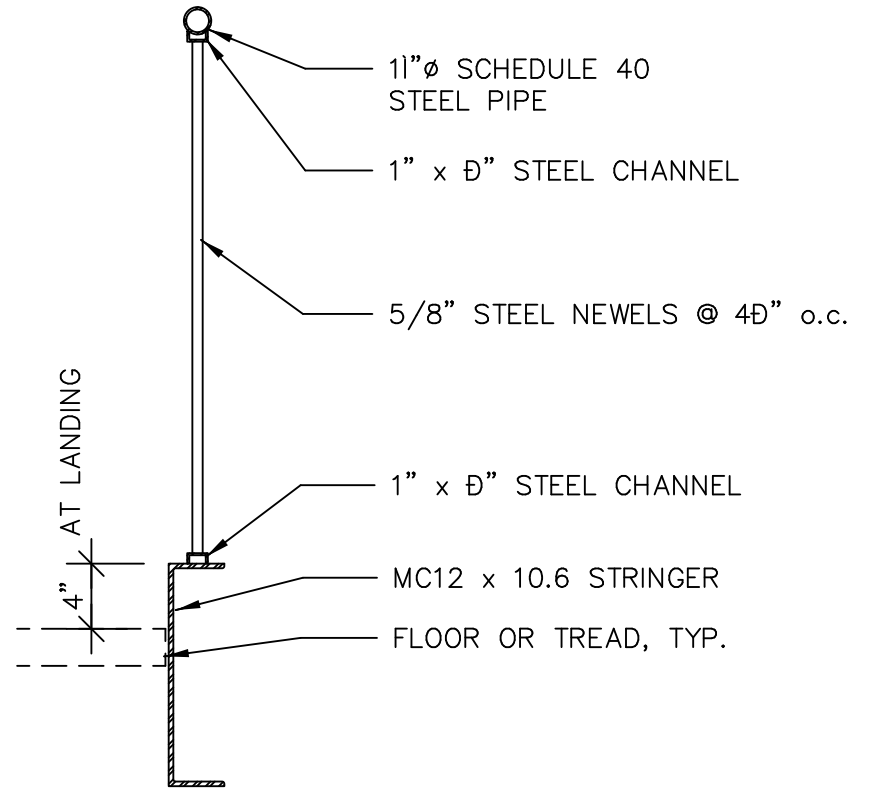


A4 STAIR DETAIL  
 A9.1 1 $\emptyset$ " = 1'-0"

A5 PLATFORM CONSTRUCTION  
 A9.1



A2 WALL HANDRAIL @ STAIR  
 A9.1 6" = 1'-0"



A3 RAILING DETAIL  
 A9.1 1" = 1'-0"