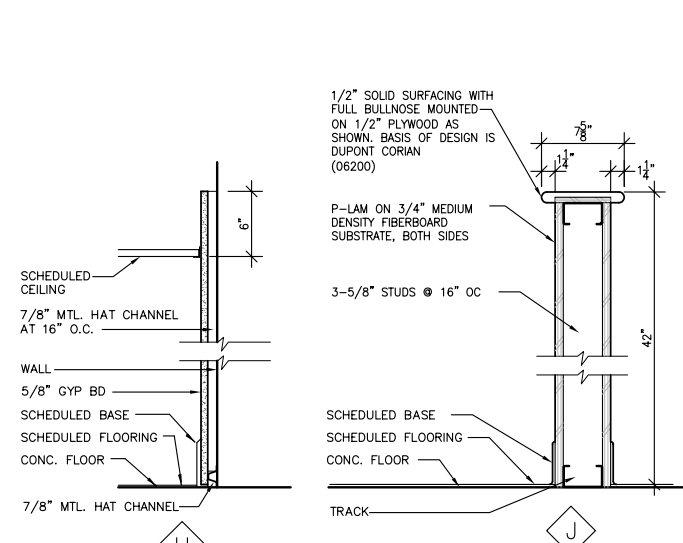
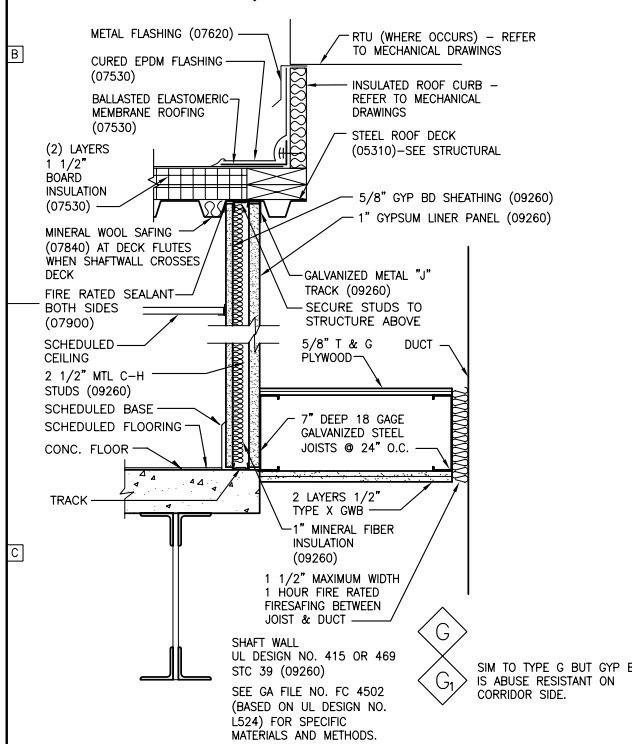
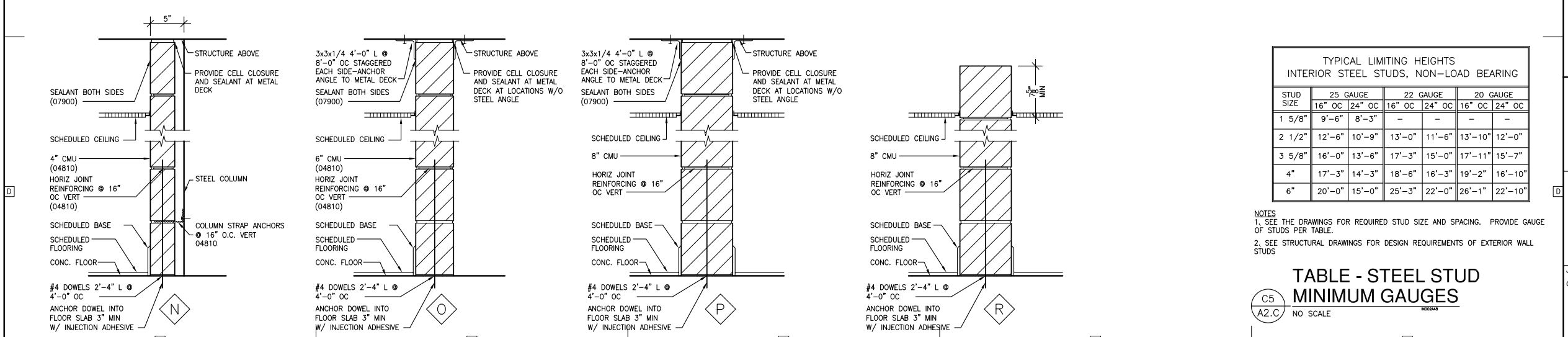
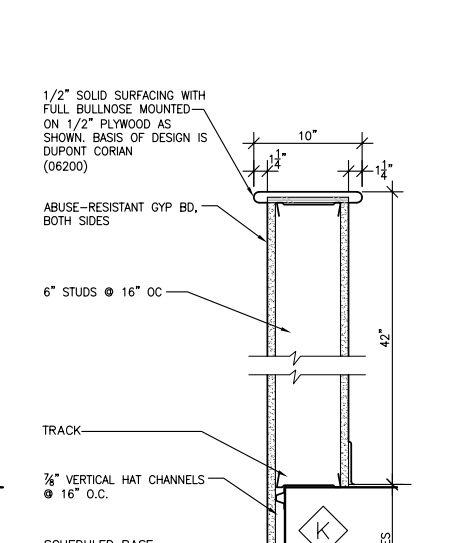


- A** SIM TO TYPE A BUT NO ACOUSTIC INSULATION
- A₁** SIM TO TYPE A BUT GYP BD IS ABUSE RESISTANT ON CORRIDOR SIDE.
- A₂** SIM TO TYPE A BUT GYP BD IS TYPE-X FOR ONE-HOUR RATED ASSEMBLY, U.L.#U465.
- A₃** SIM TO TYPE A BUT WALL TO EXTEND ONLY 6" ABOVE SCHEDULE CEILING
- A₄** SIM TO TYPE A BUT WALL TO EXTEND ONLY 6" ABOVE SCHEDULE CEILING
- B** SIM TO TYPE B BUT NO ACOUSTIC INSULATION.
- B₁** SIM TO TYPE B BUT NO ACOUSTIC INSULATION.
- B₂** SIM TO TYPE B BUT GYP BD IS ABUSE RESISTANT ON CORRIDOR SIDE.
- C** SAME AS TYPE C BUT PROVIDE 2 1/2" MTL STUDS
- C₁** SAME AS TYPE C BUT WITH 6" MTL STUDS
- C₂** SAME AS TYPE C BUT WITH 2 1/2" MTL STUDS AND GYP BD IS ABUSE RESISTANT.
- C₃** SAME AS TYPE C BUT WITH 2 1/2" MTL STUDS AND GYP BD IS ABUSE RESISTANT.
- D** SIM TO TYPE E BUT NO ACOUSTIC INSULATION.
- E** SIM TO TYPE E BUT NO ACOUSTIC INSULATION.
- E₁** SIM TO TYPE E BUT NO ACOUSTIC INSULATION.



- H** SIM TO TYPE H BUT GYP BD IS ABUSE RESISTANT ON CORRIDOR SIDE.
- H₁** SIM TO TYPE H BUT GYP BD IS ABUSE RESISTANT ON CORRIDOR SIDE.



TYPICAL LIMITING HEIGHTS
INTERIOR STEEL STUDS, NON-LOAD BEARING

STUD SIZE	25 GAUGE		22 GAUGE		20 GAUGE	
	16" OC	24" OC	16" OC	24" OC	16" OC	24" OC
1 5/8"	9'-6"	8'-3"	-	-	-	-
2 1/2"	12'-6"	10'-9"	13'-0"	11'-6"	13'-10"	12'-0"
3 5/8"	16'-0"	13'-6"	17'-3"	15'-0"	17'-11"	15'-7"
4"	17'-3"	14'-3"	18'-6"	16'-3"	19'-2"	16'-10"
6"	20'-0"	15'-0"	25'-3"	22'-0"	26'-1"	22'-10"

NOTES
1. SEE THE DRAWINGS FOR REQUIRED STUD SIZE AND SPACING. PROVIDE GAUGE OF STUDS PER TABLE.
2. SEE STRUCTURAL DRAWINGS FOR DESIGN REQUIREMENTS OF EXTERIOR WALL STUDS

TABLE - STEEL STUD MINIMUM GAUGES
NO SCALE