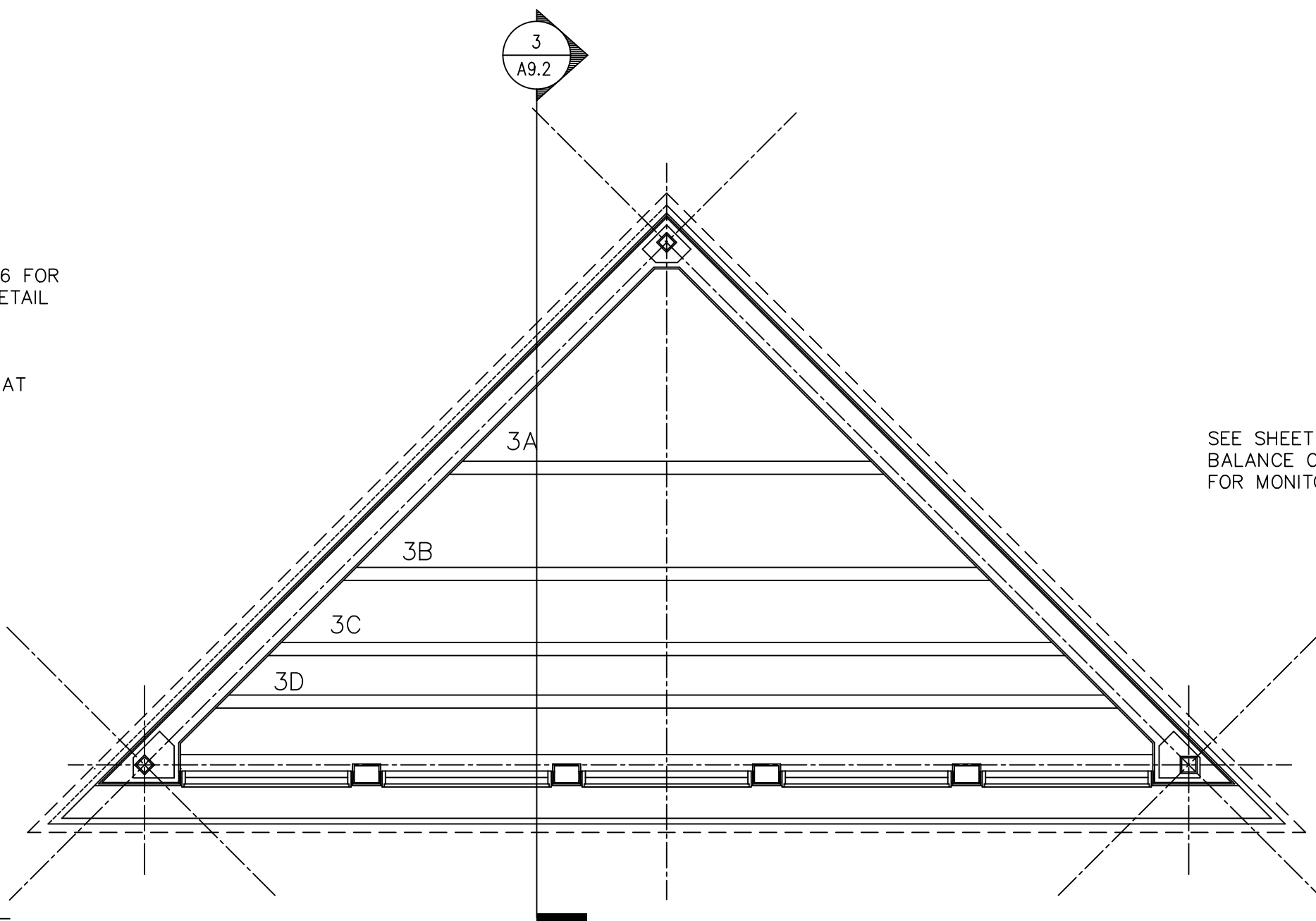
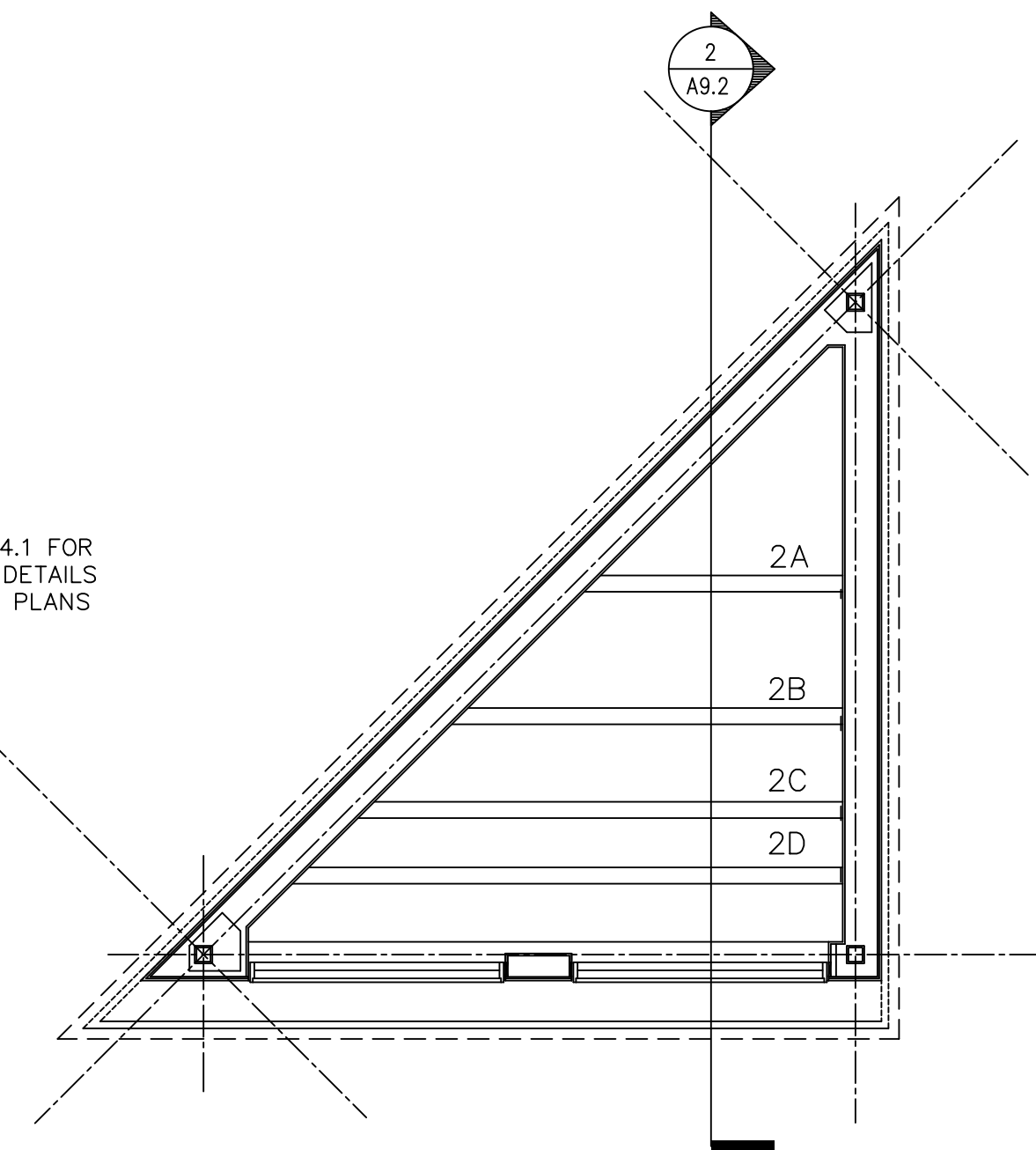


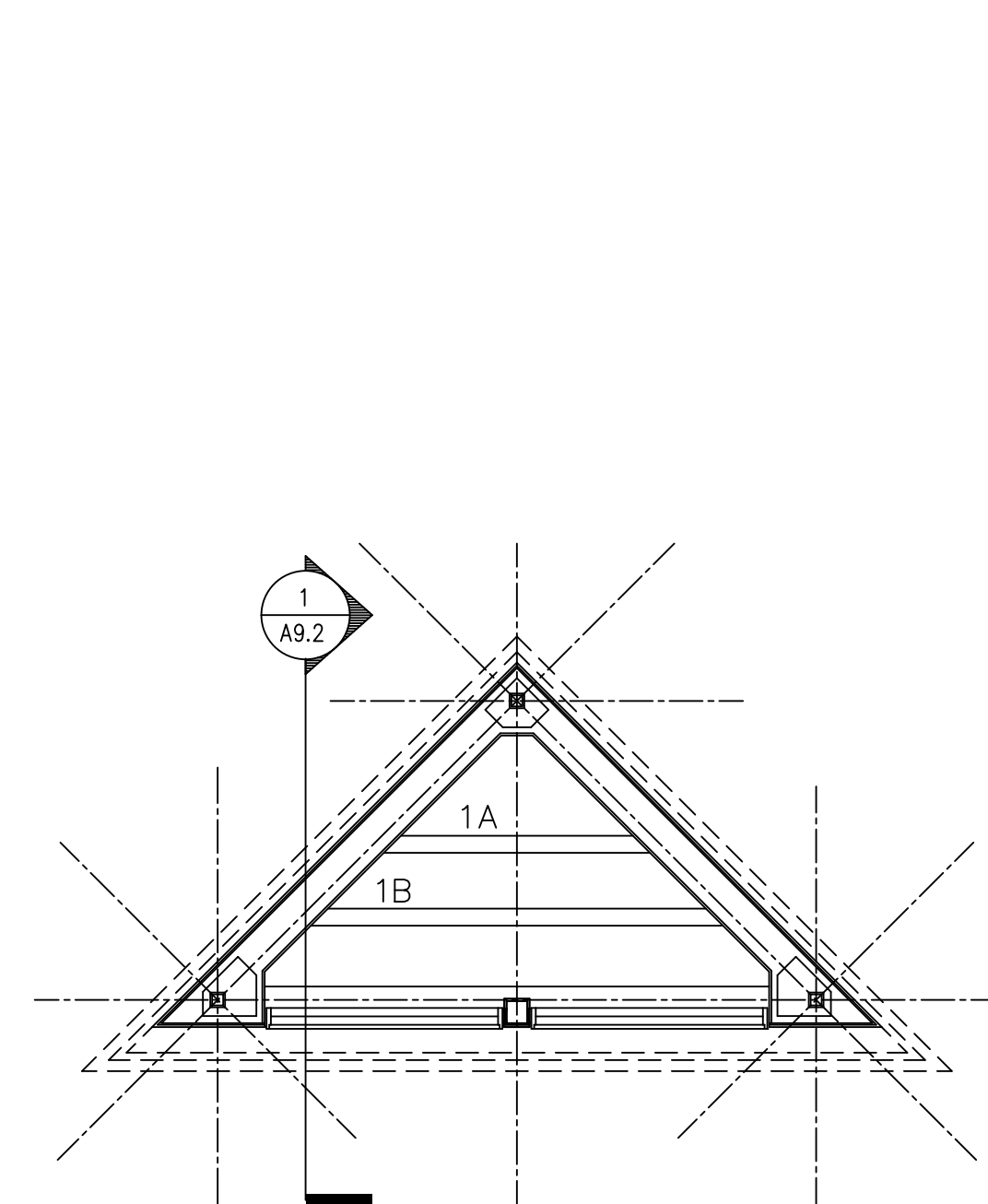
1
A9.2
PENTHOUSE SECTION MONITOR #1
1/4" = 1'-0"



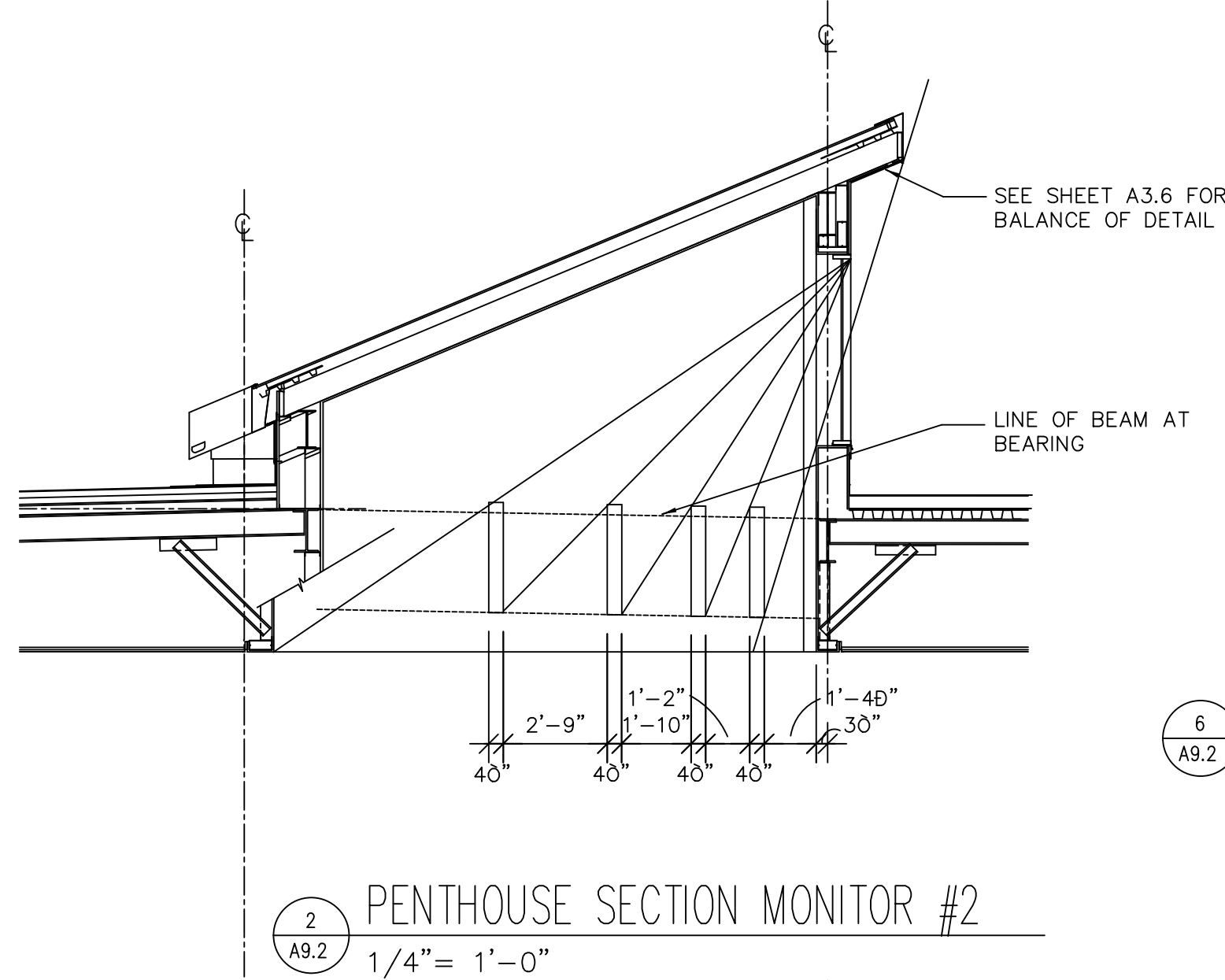
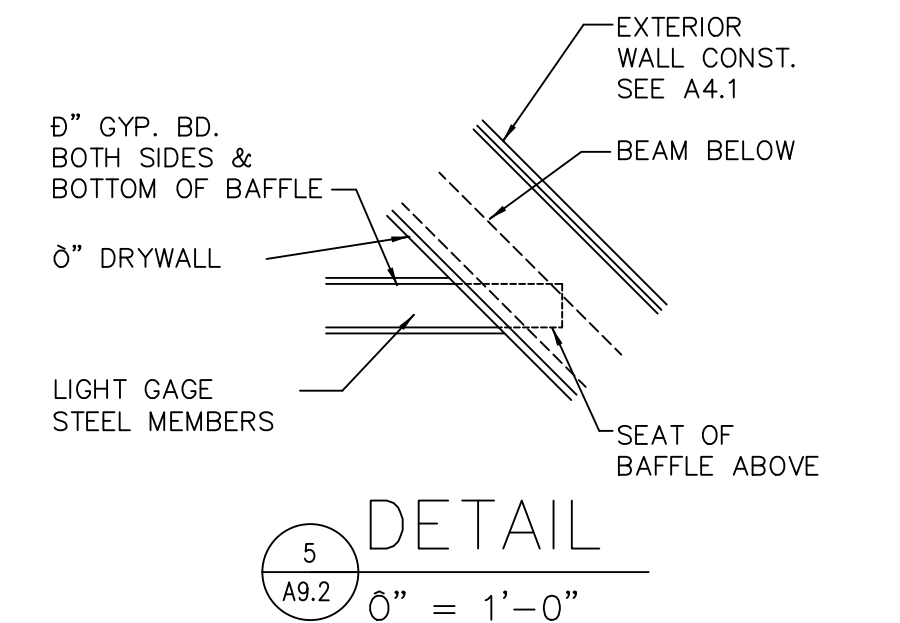
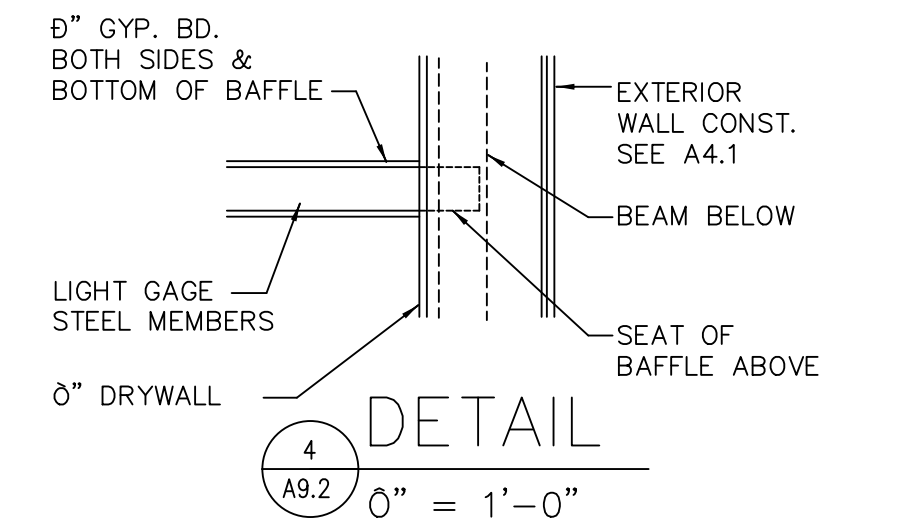
PENTHOUSE PLAN MONITOR #3 & #4
1/4" = 1'-0"



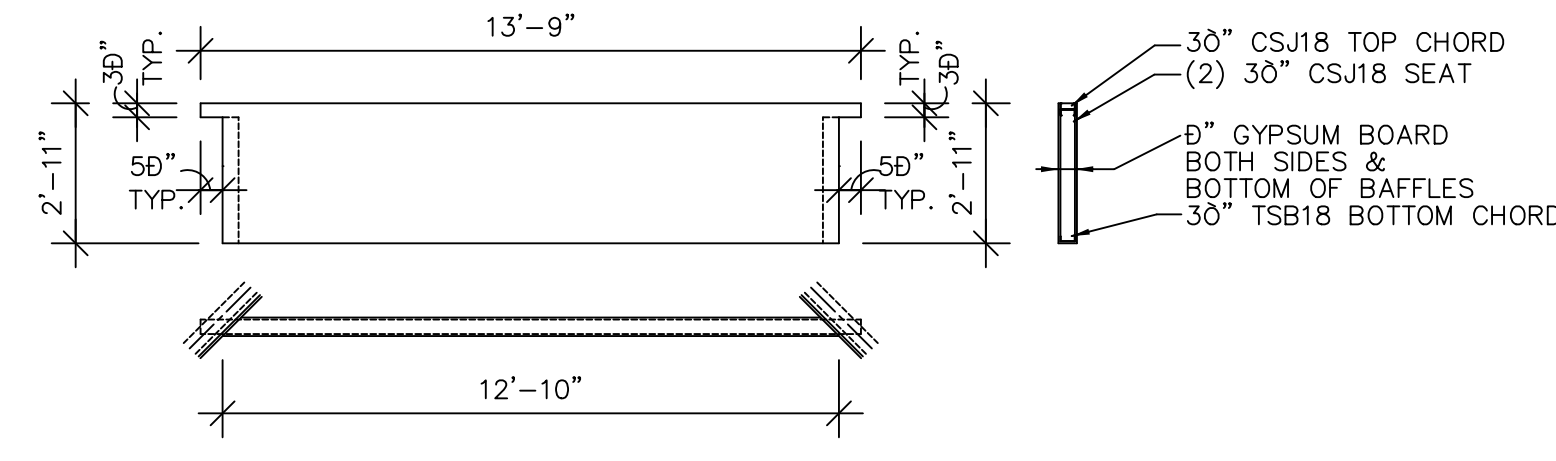
PENTHOUSE PLAN MONITOR #2
1/4" = 1'-0"



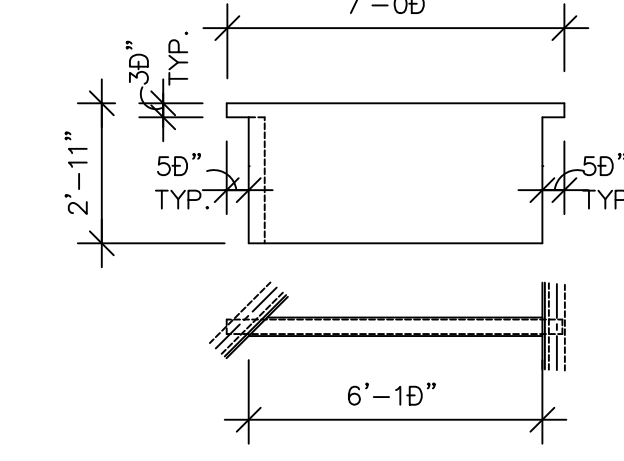
PENTHOUSE PLAN MONITOR #1
1/4" = 1'-0"



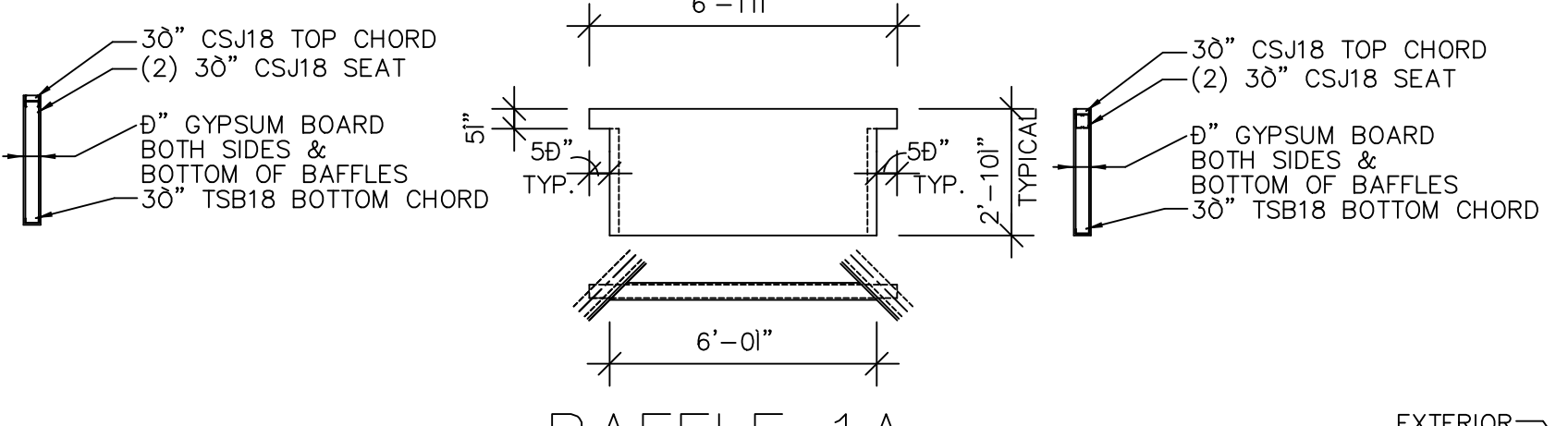
2
A9.2
PENTHOUSE SECTION MONITOR #2
1/4" = 1'-0"



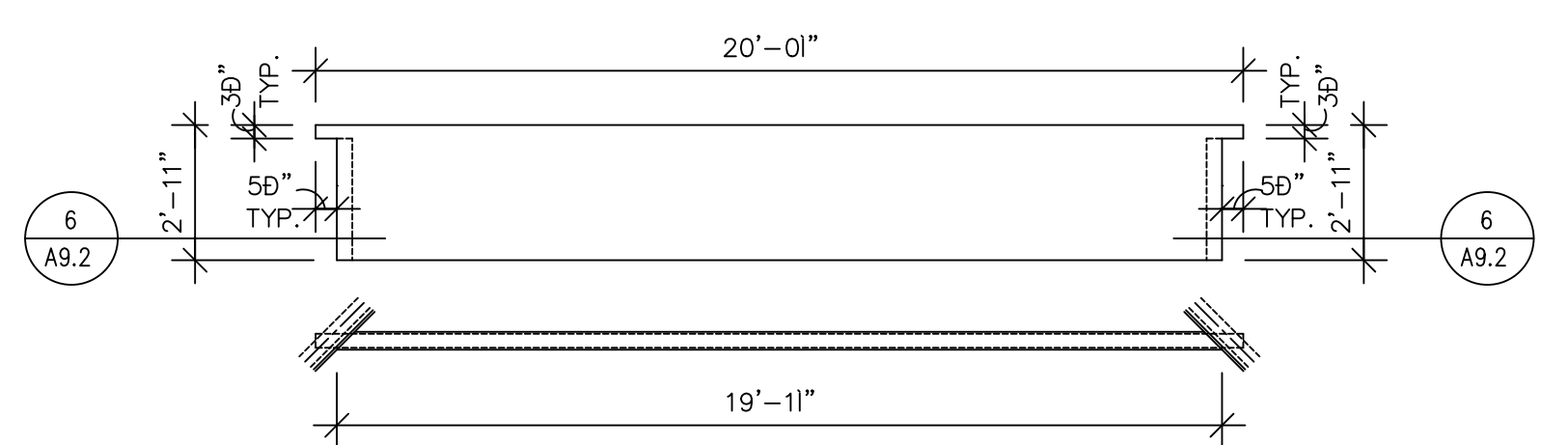
BAFFLE 3A



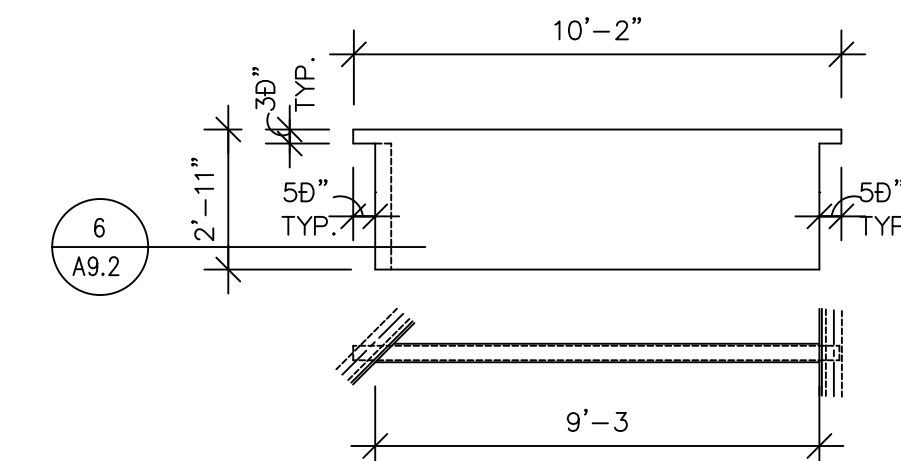
BAFFLE 2A



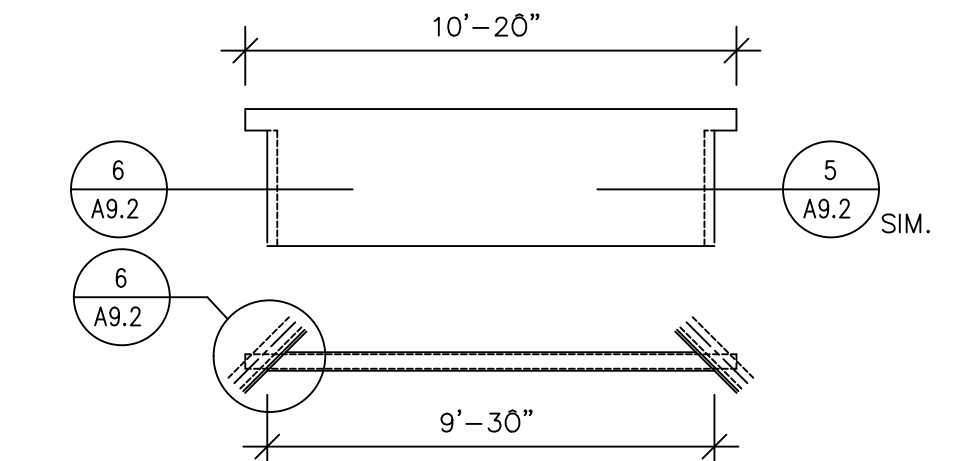
BAFFLE 1A



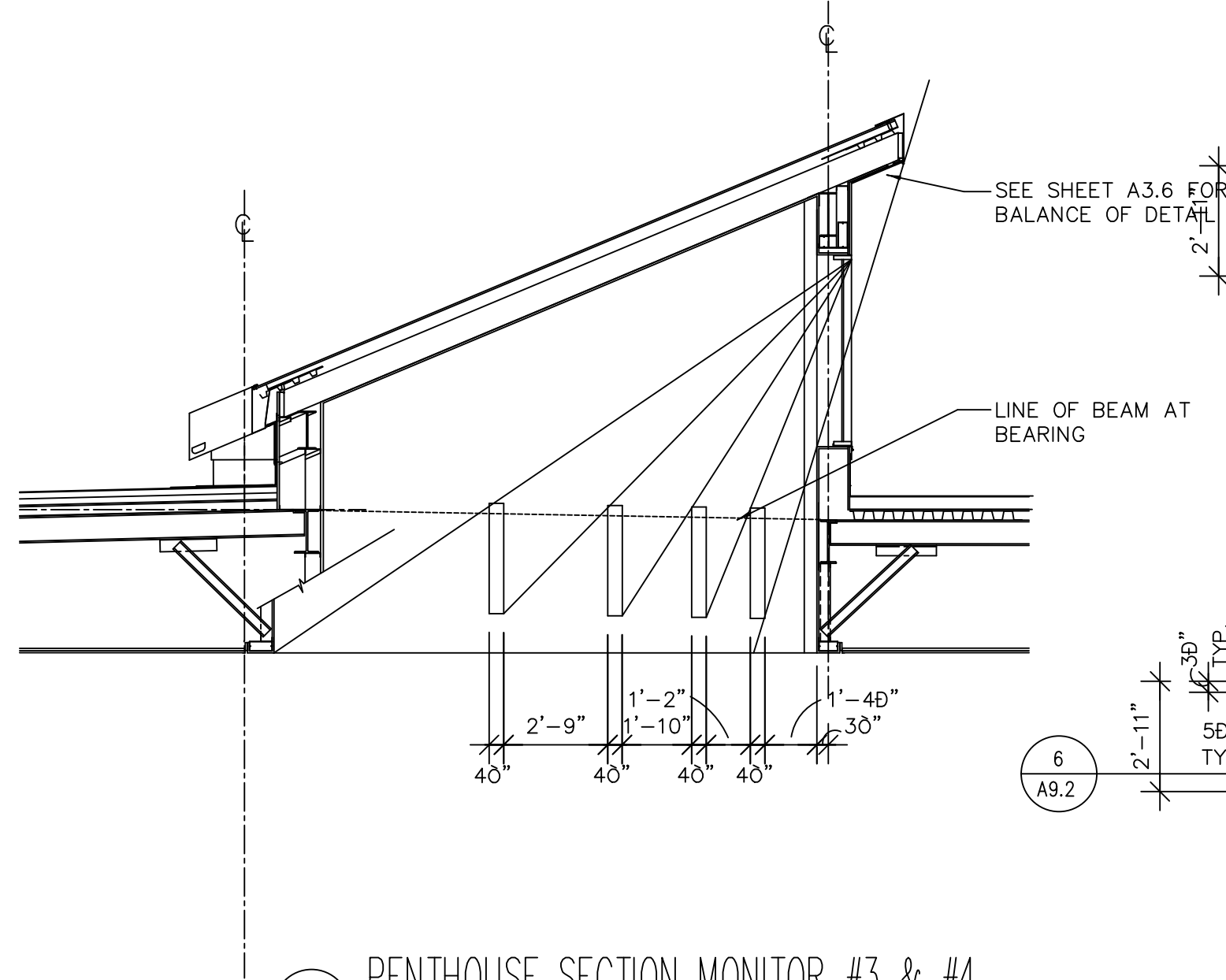
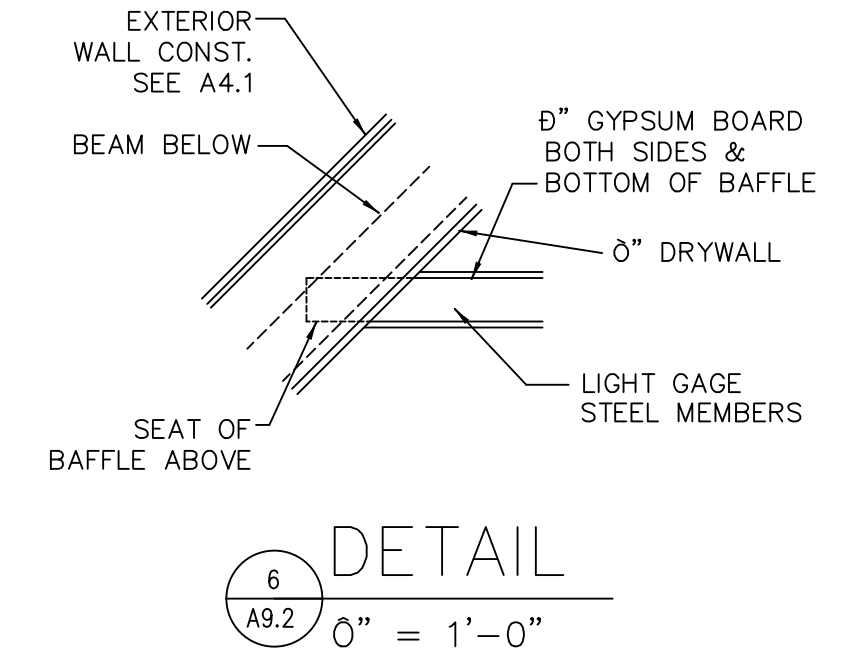
BAFFLE 3B



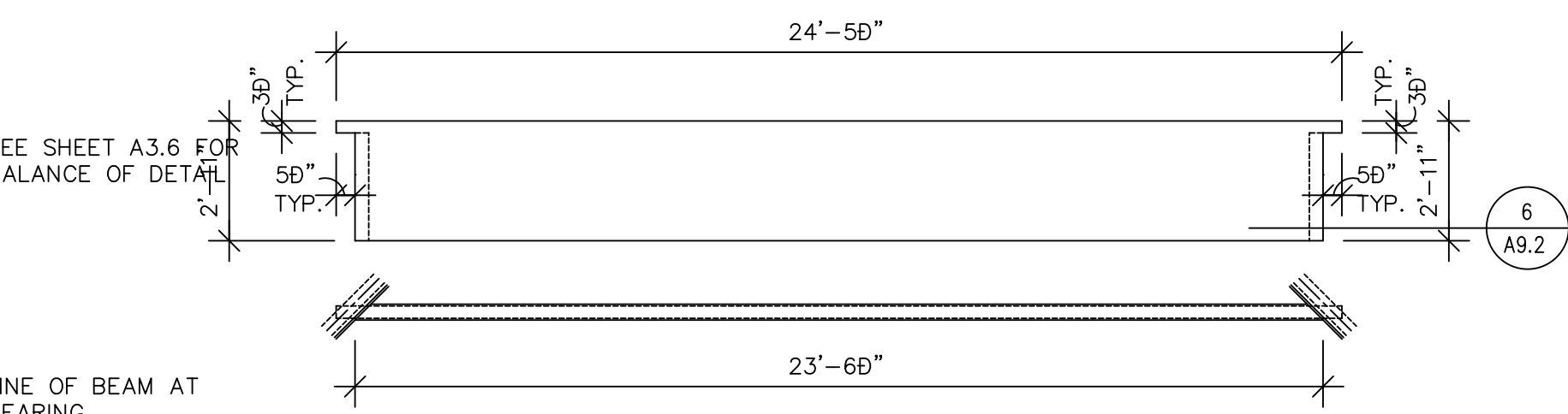
BAFFLE 2B



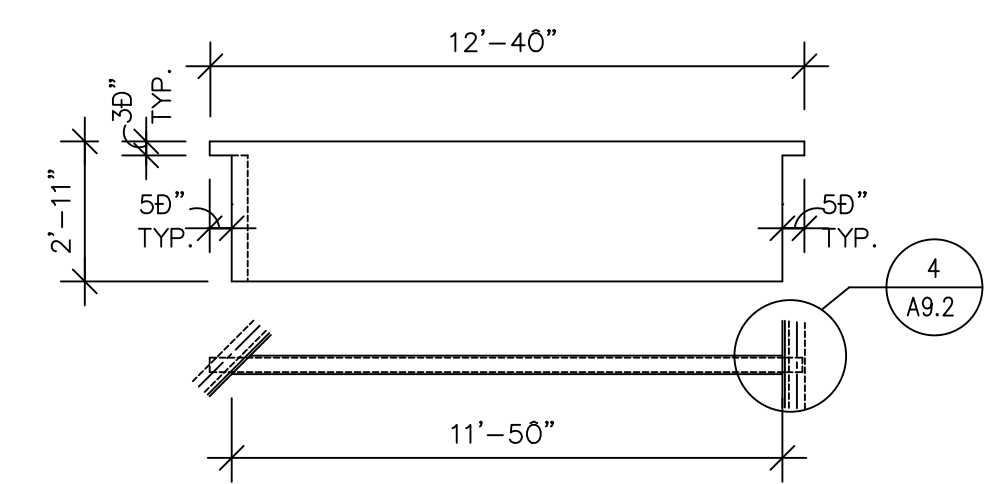
BAFFLE 1B
ELEV/PLAN MONITOR #1
1" = 1'-0"



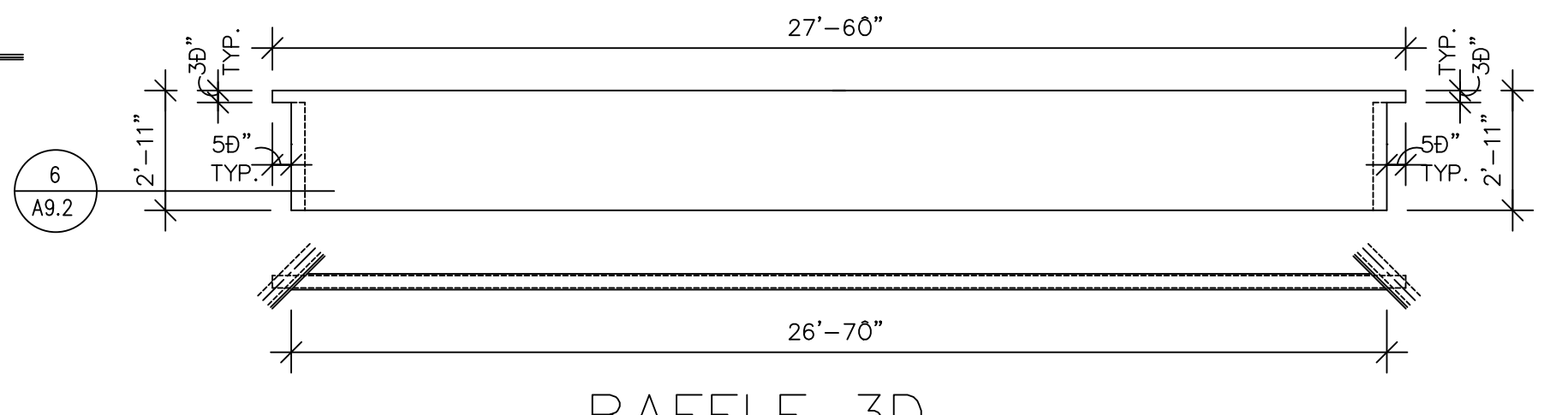
3
A9.2
PENTHOUSE SECTION MONITOR #3 & #4
1/4" = 1'-0"



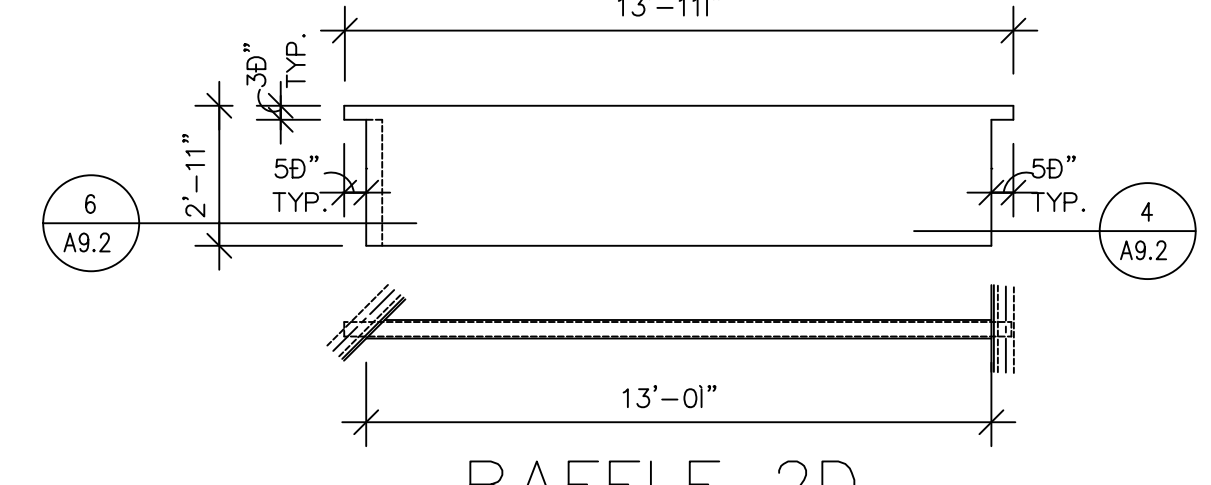
BAFFLE 3C



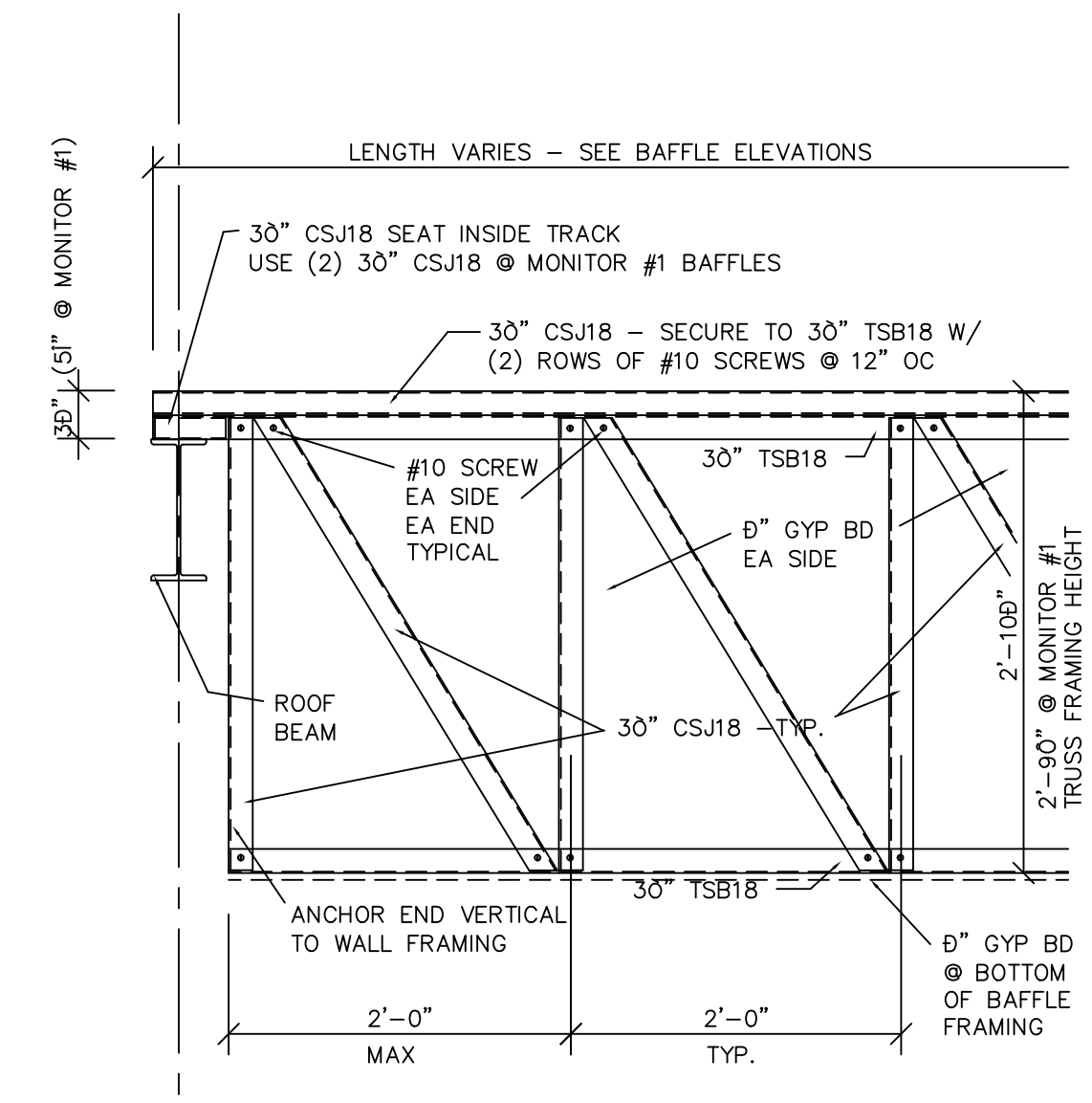
BAFFLE 2C



BAFFLE 3D
ELEV/PLAN MONITOR #3 & #4
1/4" = 1'-0"



BAFFLE 2D
ELEV/PLAN MONITOR #2
1/4" = 1'-0"



7
A9.2
TYP. SUN BAFFLE TRUSS FRAMING
1" = 1'-0"

2-24-98 RECORD DRAWINGS
01-17-97 INTERIOR BID PACKAGE