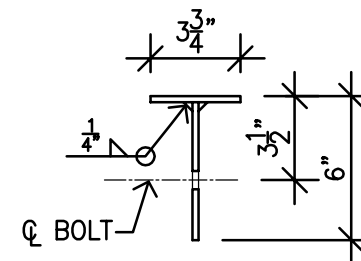


# PROCEDURE

1. REMOVE ONE 2' WIDE SECTION OF LIMESTONE VENEER AT A TIME

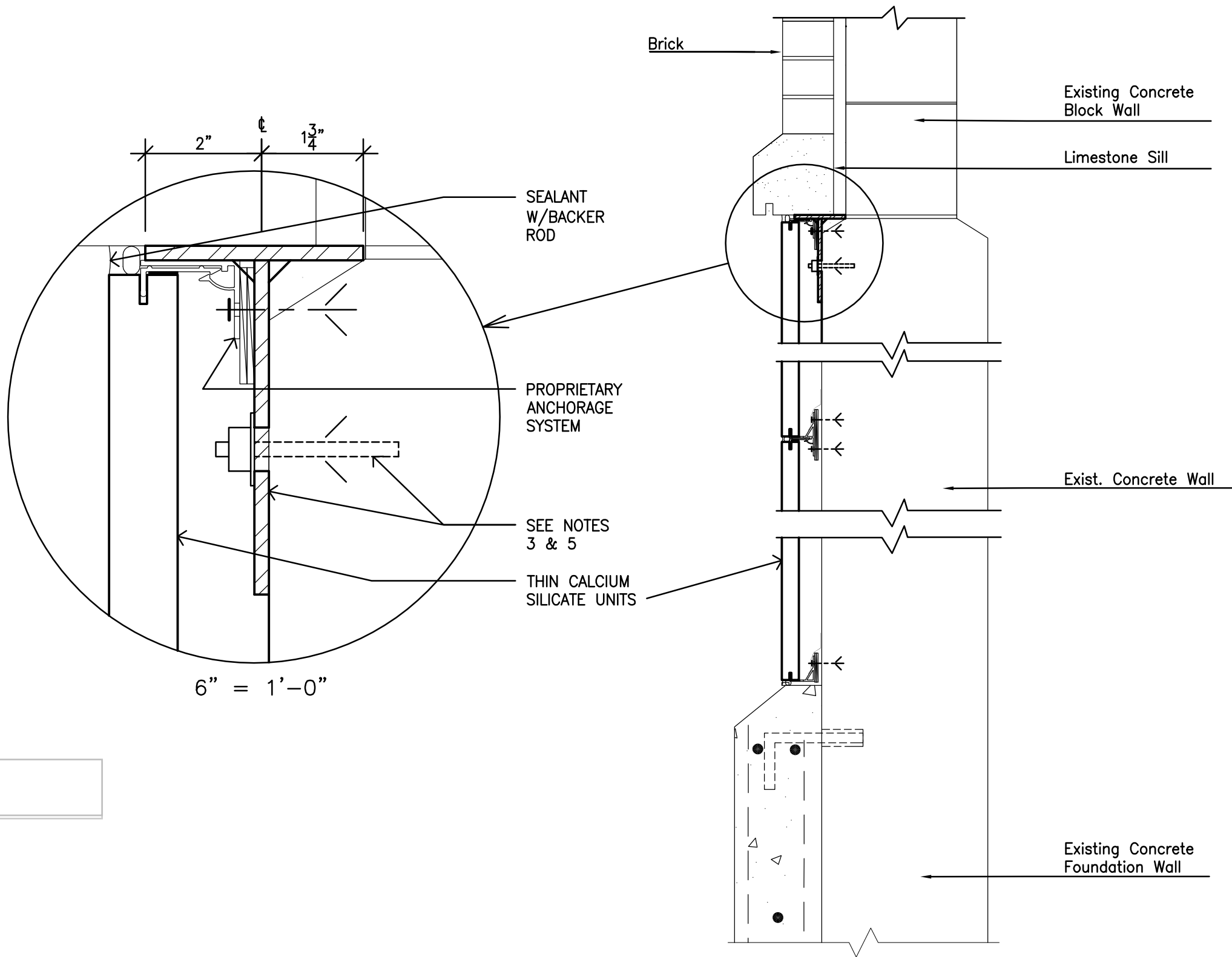
2. INSTALL NEW SS SHELF TEE TO SUPPORT EXIST LIMESTONE SILL & BRICK VENEER

3. FABRICATE 1'-10" LONG SHELF TEES FROM 1/4" SS BARS W/CONT WELDS EA SIDE OF TEE



4. PAINT TEES W/ASPHALTIC EMULSION WHERE IN CONTACT W/ CONC FOUNDATION

5. ANCHOR EACH TEE W/ (3) 5/8" Ø SS EXP BOLTS W/ SS WASHERS AND NUTS. BOLT EXTENDS 4" INTO CONCRETE.



# D STONE VENEER REPLACEMENT

A1.0 1 1/2" = 1'-0"