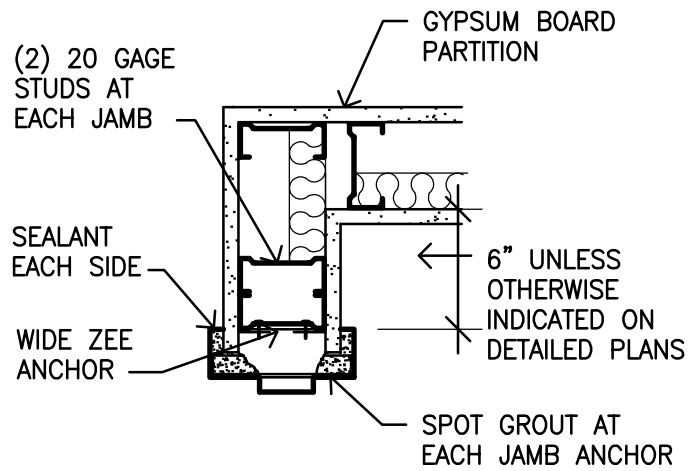
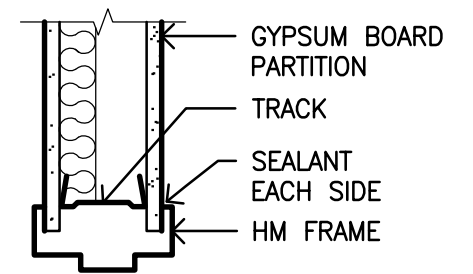


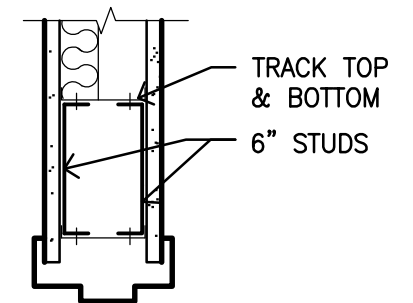
J10



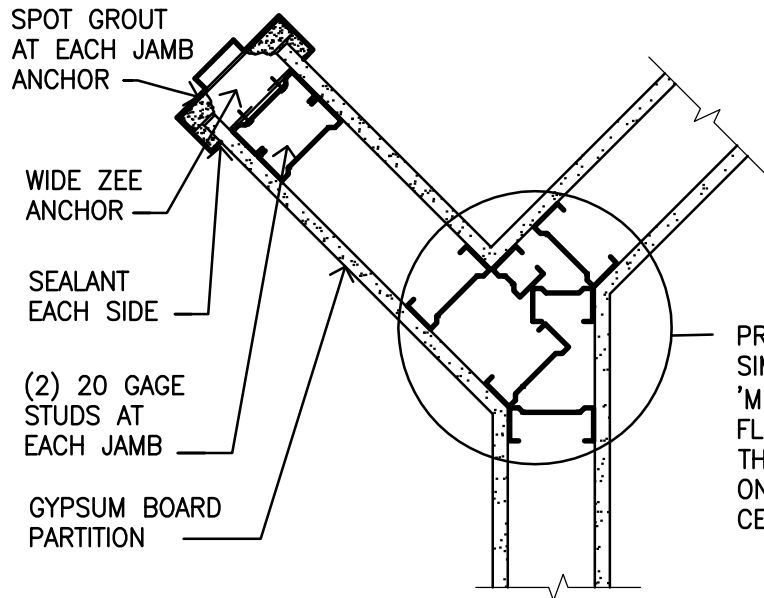
J12



H16

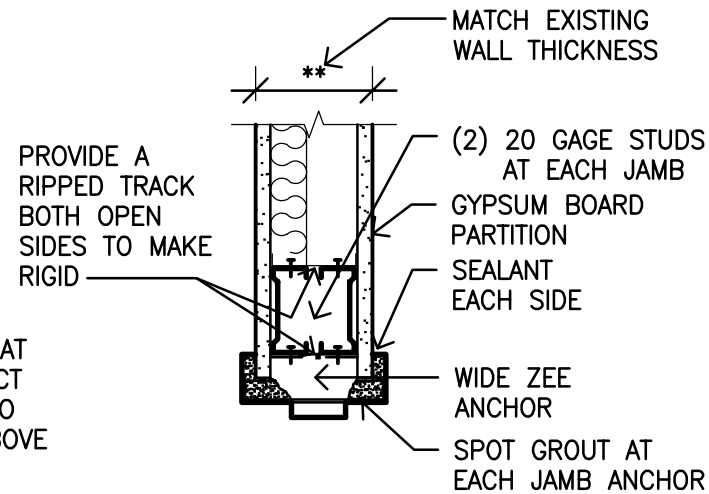


H21



J13

PROVIDE STUDS SIMILAR TO THIS. 'MERGE' TRACKS AT FLOOR & CONNECT THEM SECURLY TO ONE ANOTHER ABOVE CEILING.



J14

# JAMB DETAILS

1-1/2" = 1'-0"

# HEAD DETAILS

1-1/2" = 1'-0"